

# COMPENDIUM OF CARTON STYLES



## **Welcome to Alexir Creative**

We are not your regular packaging design agency.

As it happens, we are packaging manufacturers who know how to design.

Our point of difference lies in our engineers and designers who can transform your ideas from a concept into a piece of packaging.

## **Structural Packaging**

We design and engineer custom packaging that is production-ready for you.



# INDEX

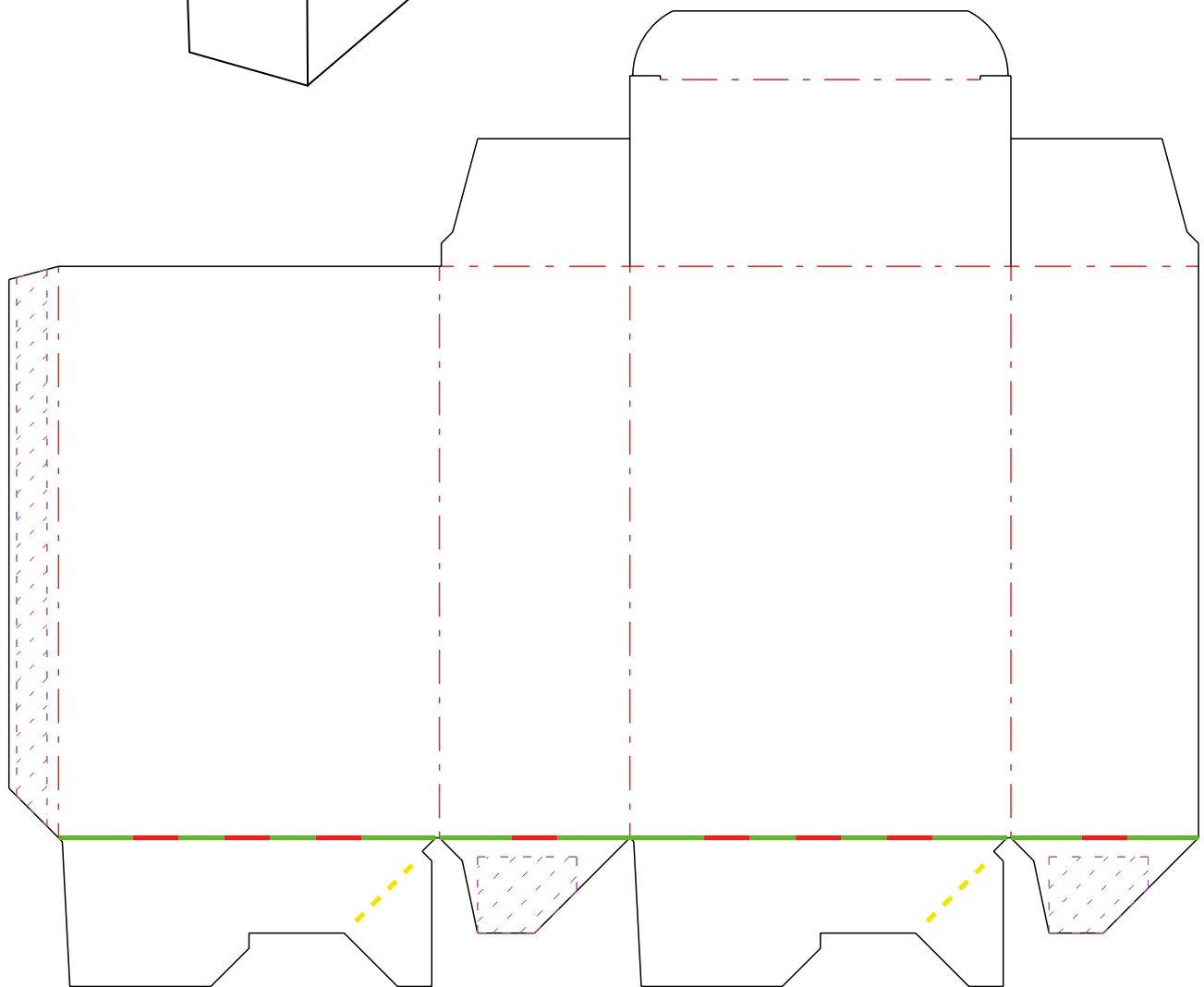
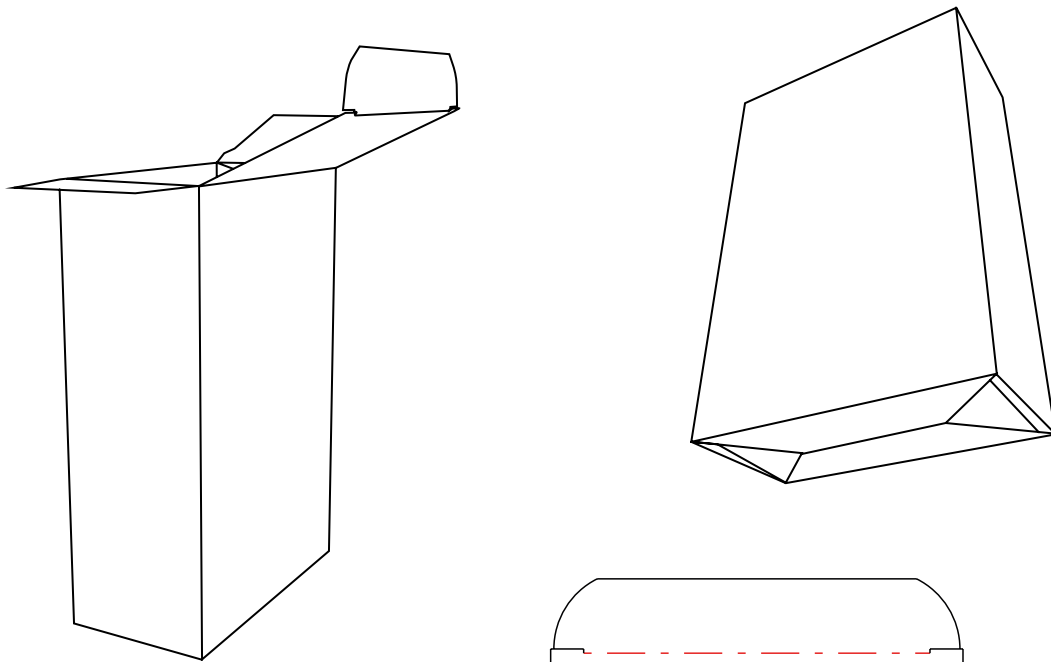
---

Crash lock base tuck to back	1
Crash lock base tuck to front	2
Envelope base carton tuck to back	3
Nested tray	4
Flanged nested tray	5
Same panel tuck end carton	6
Reverse tuck end carton	7
Sleeve	8
Economy flap skillet carton	9
Edge lock skillet carton	10
Jacob White skillet carton	11
4 corner glued tray	12
6 corner glued tray	13



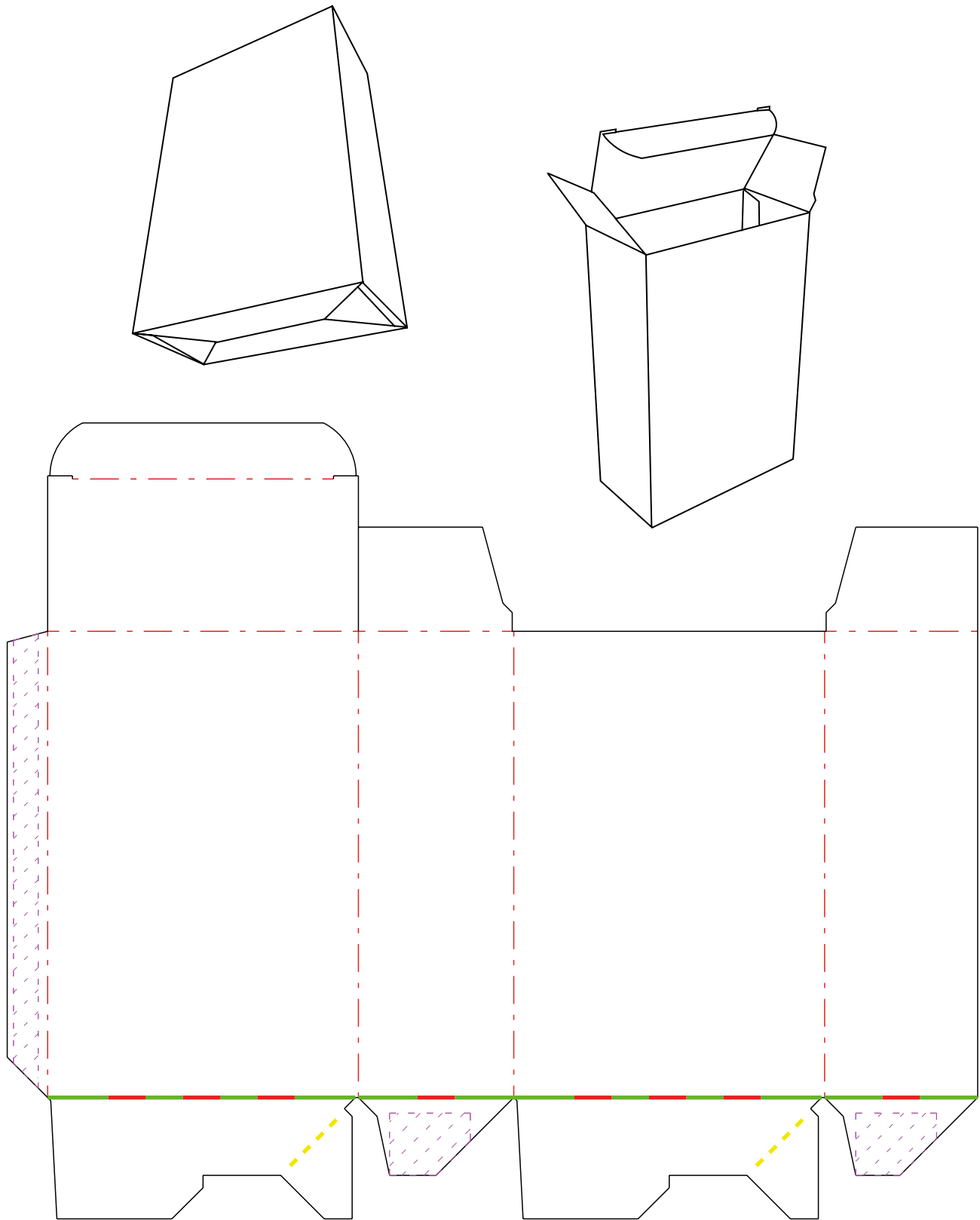
# Crash Lock Base

Tuck to back ( ECMA A6020 )



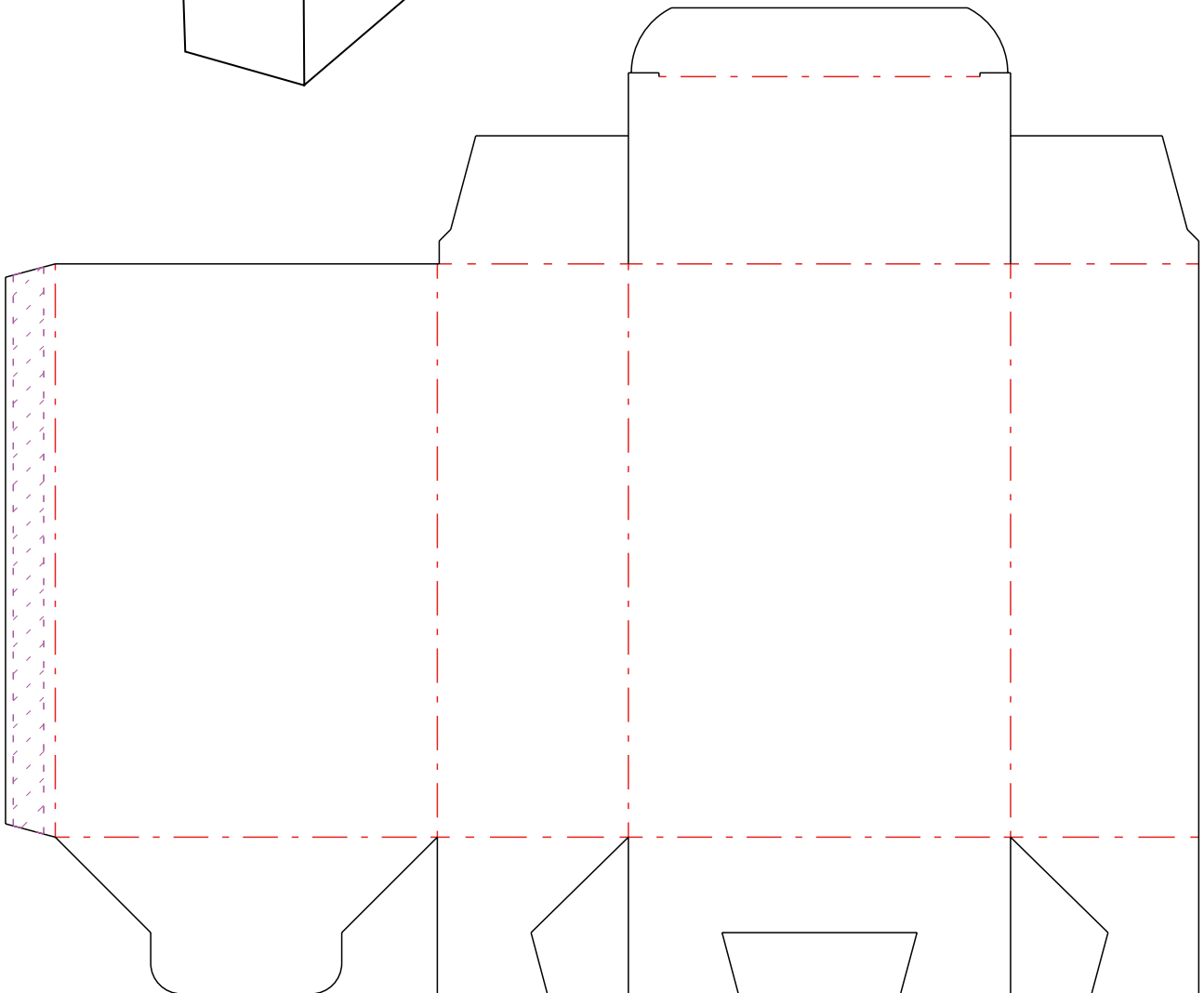
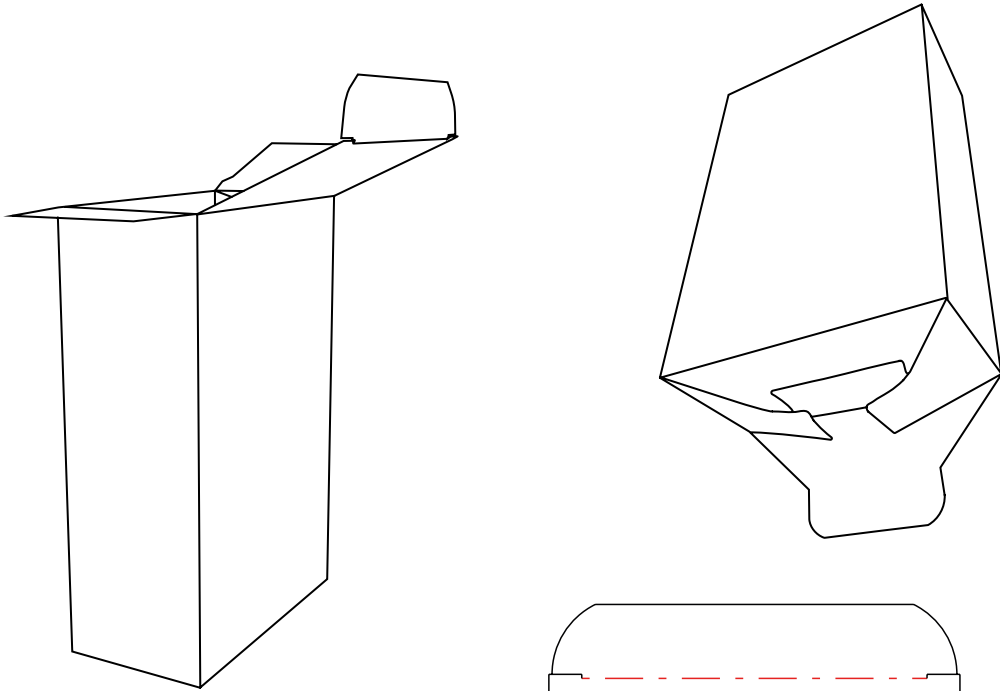
# Crash Lock Base

Tuck to front ( ECMA A6021 )



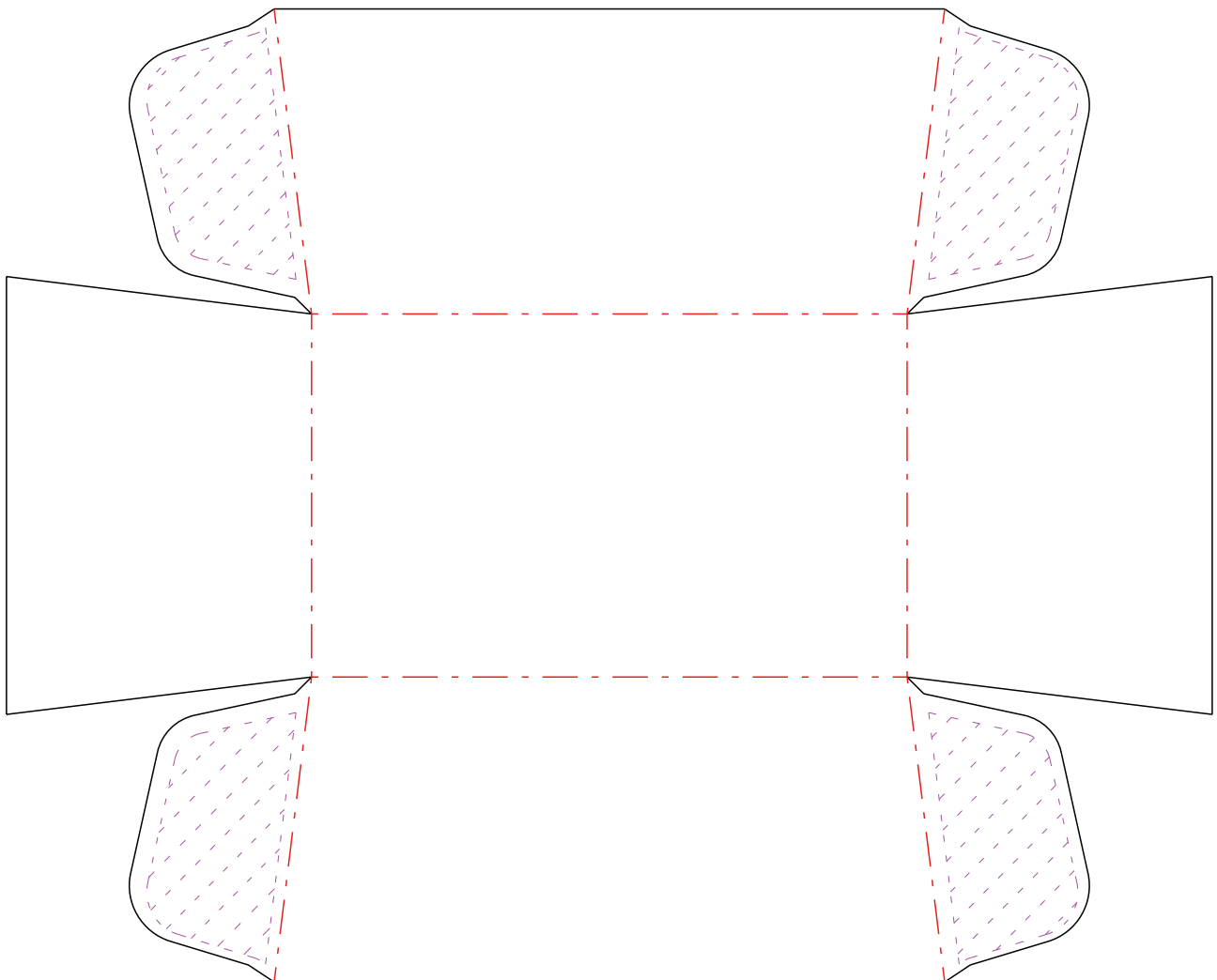
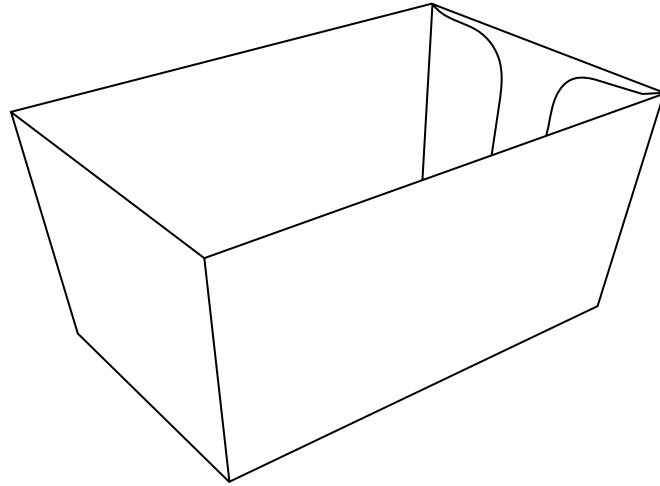
# Envelope Base

Tuck to back (ECMA A5520)



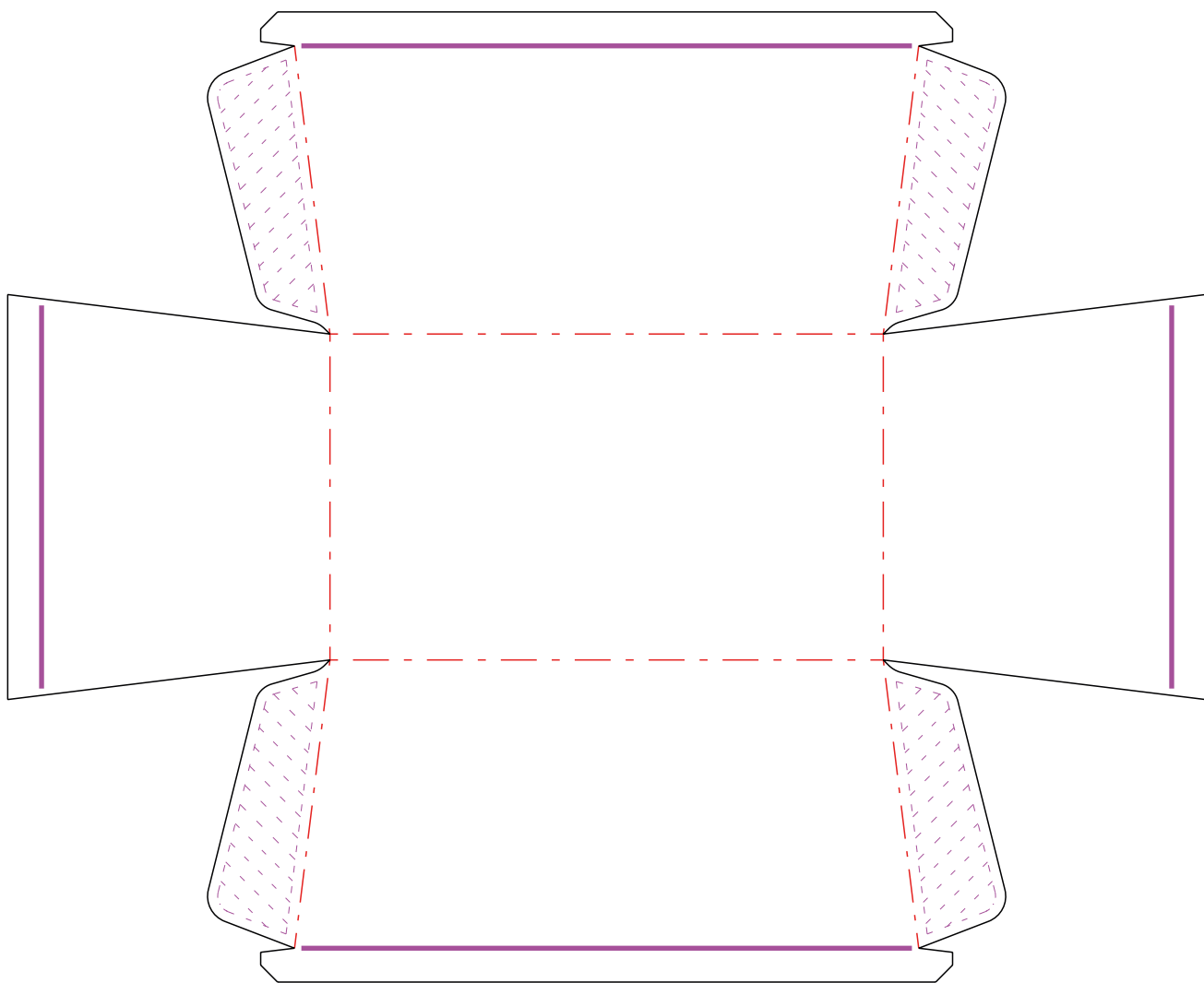
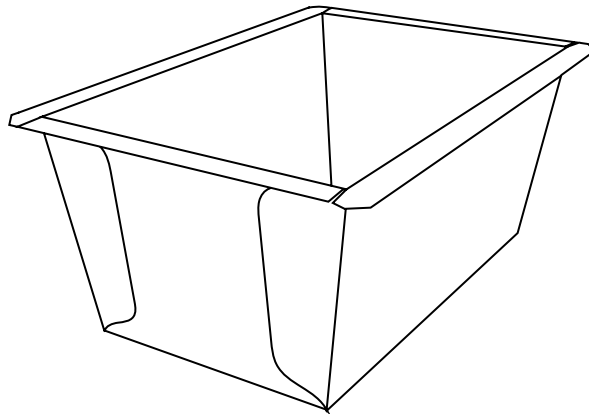
# Tray

Nested



# Tray

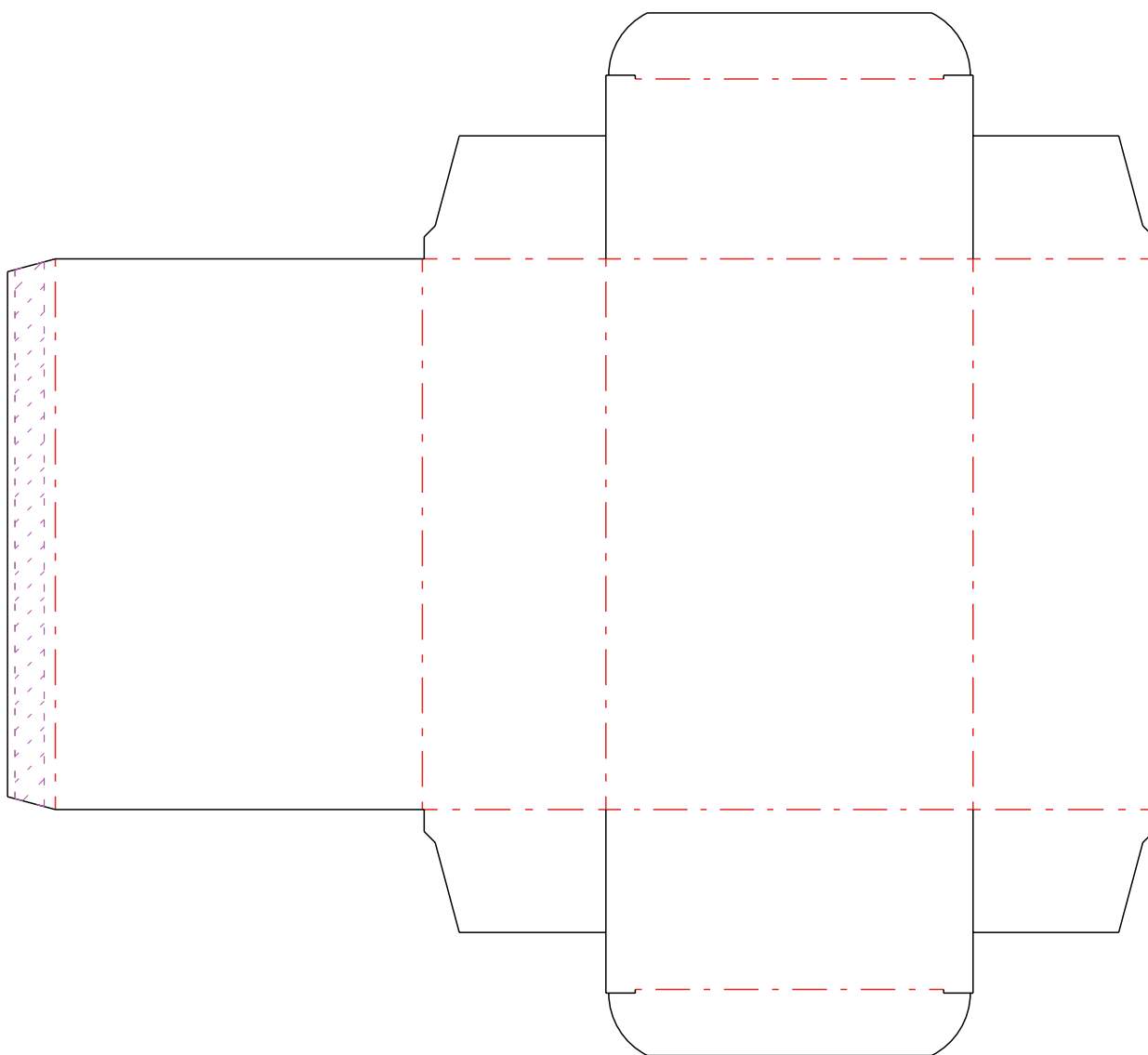
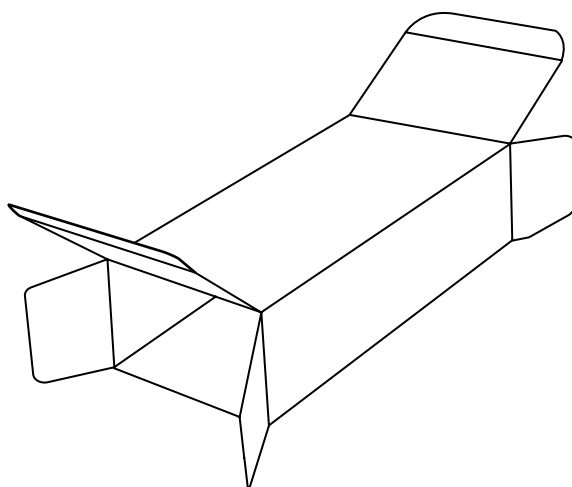
Flanged Nested





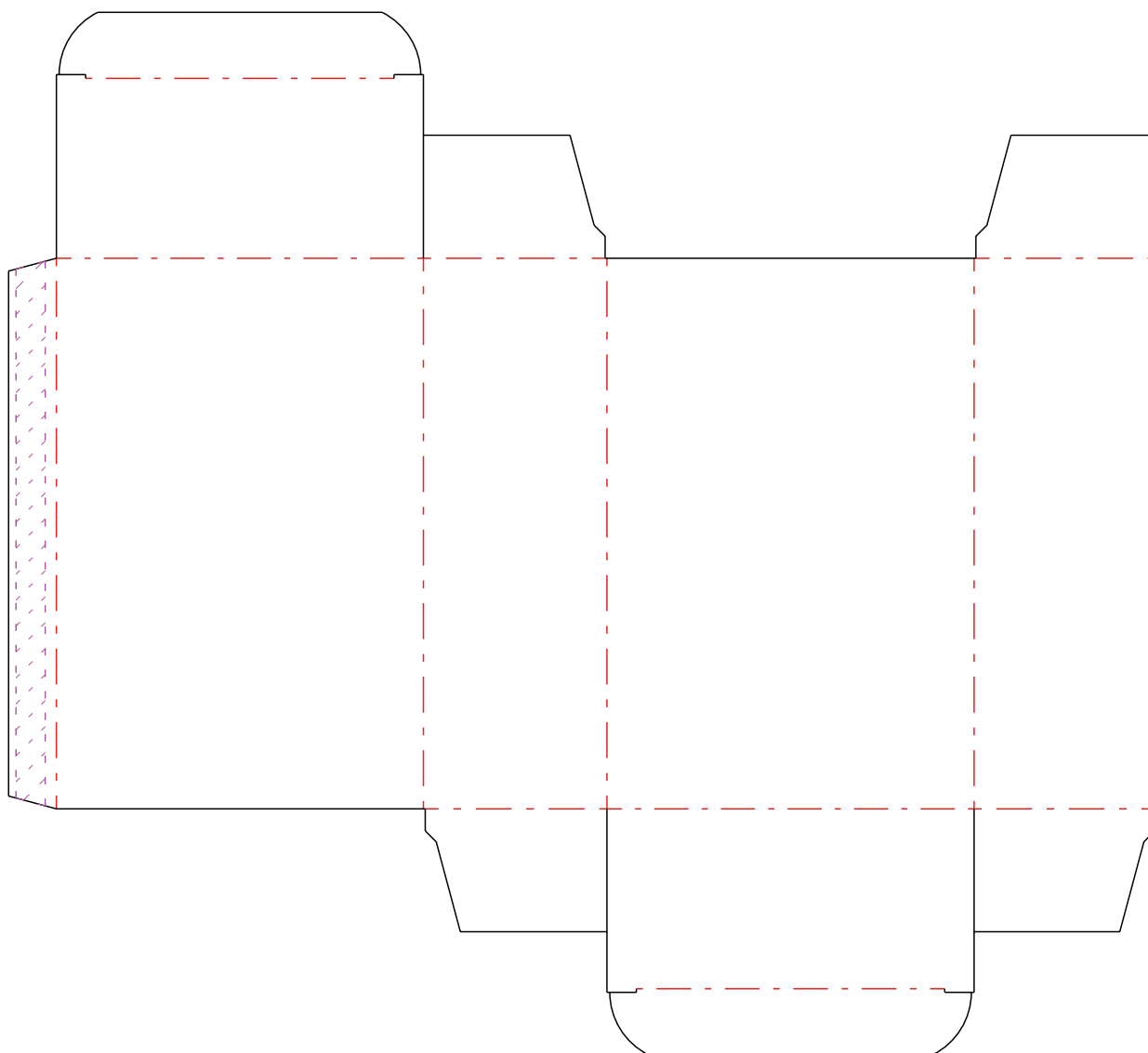
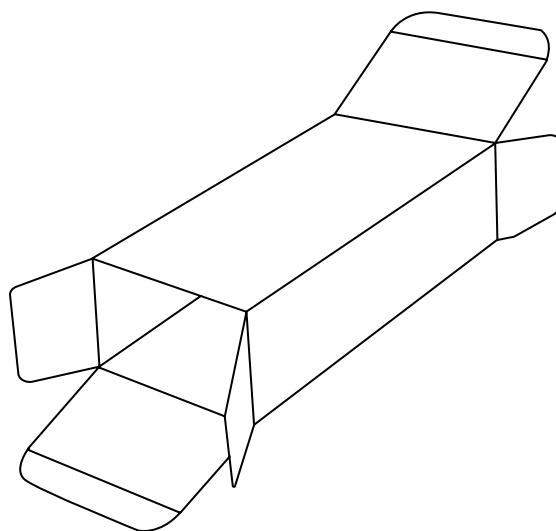
# Tuck end carton

Same panel (ECMA A2420)



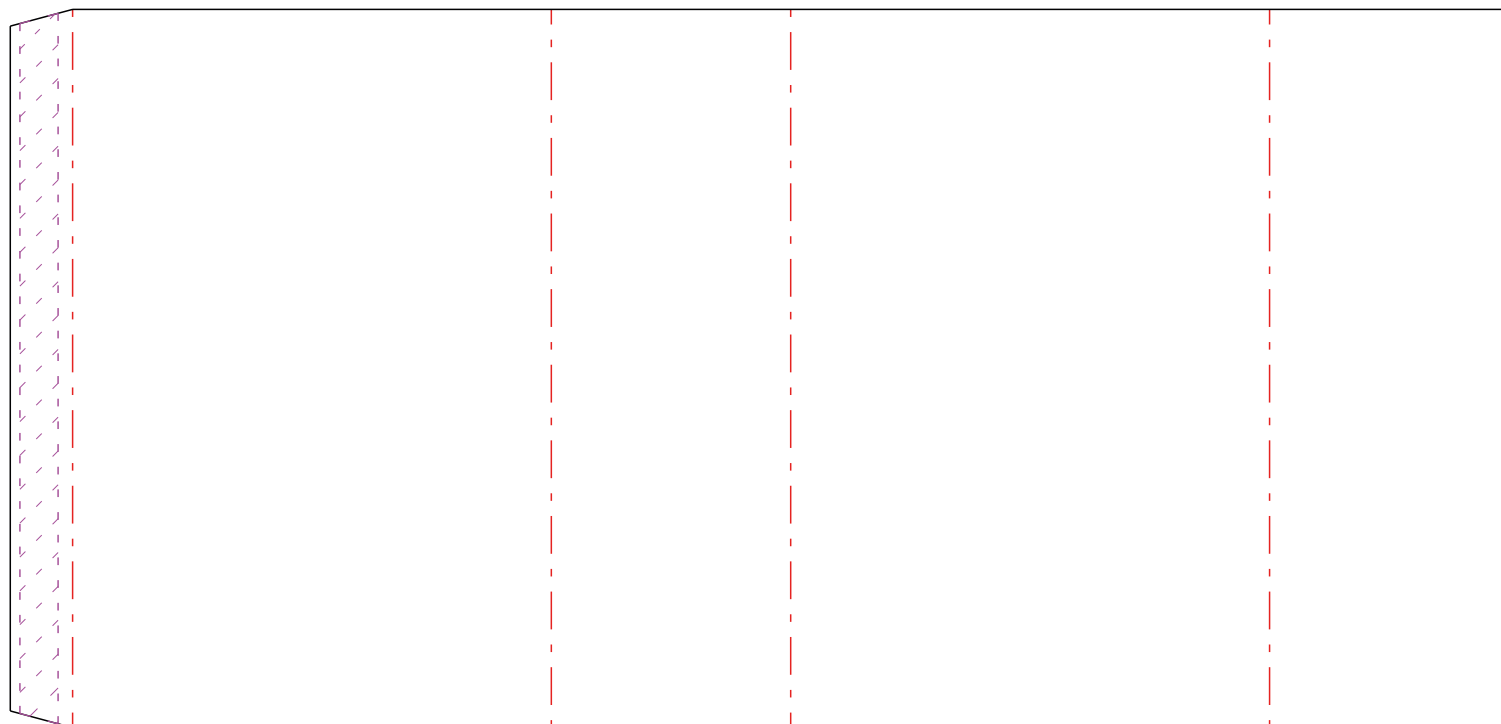
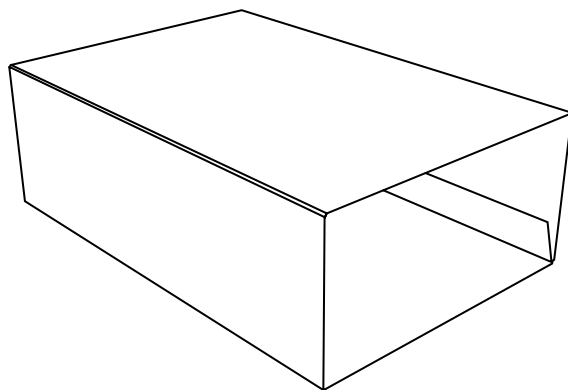
# Tuck end carton

Reverse (ECMA A2120)



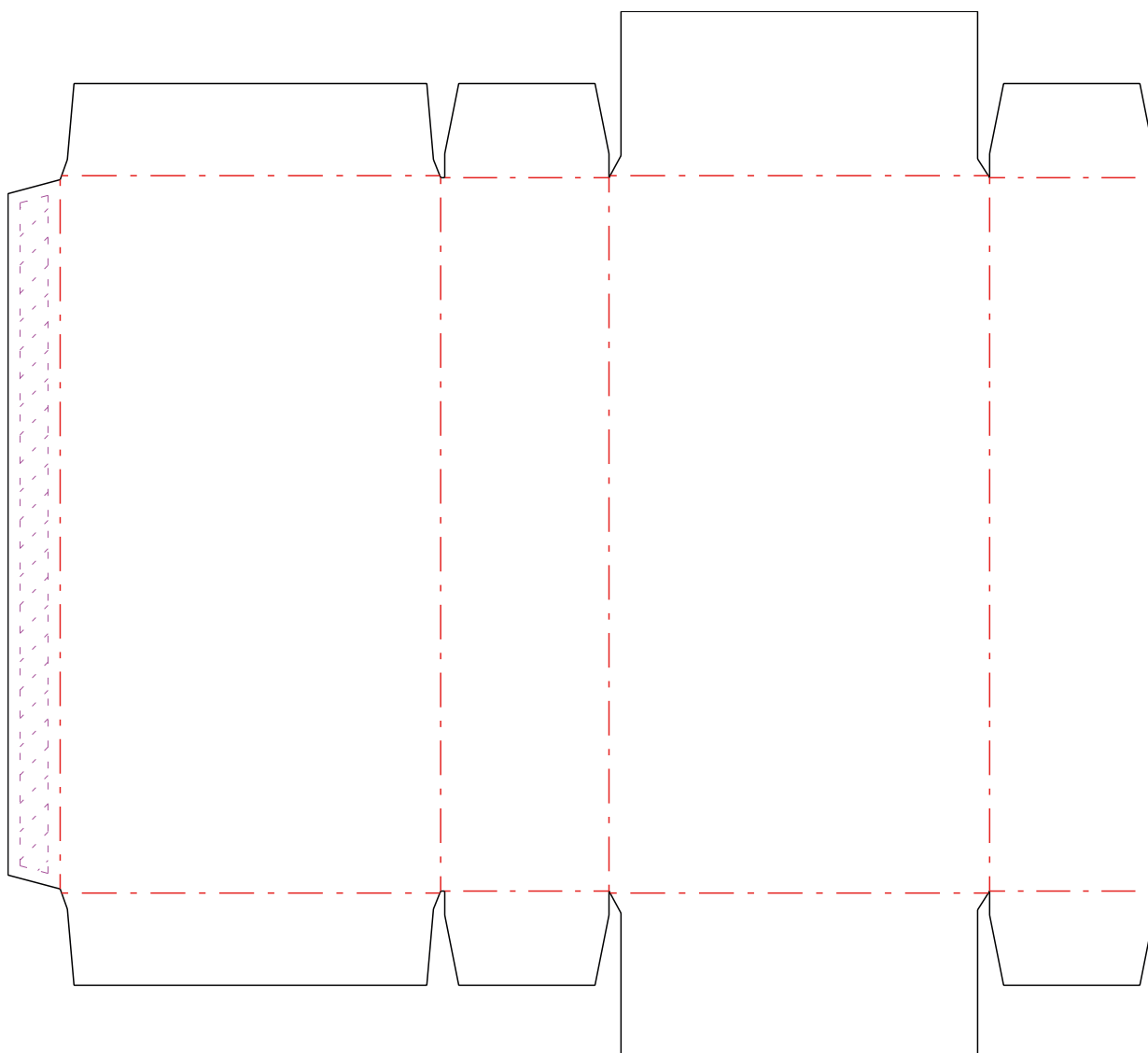
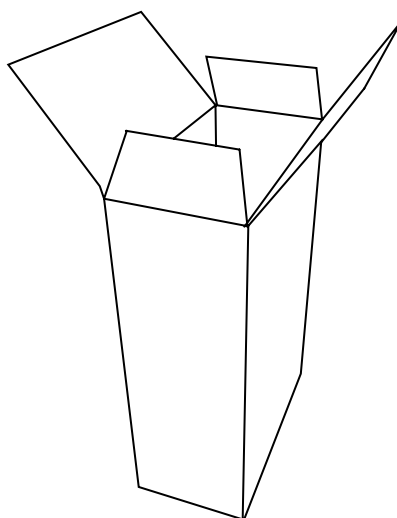
# Sleeve

( ECMA E3120 )



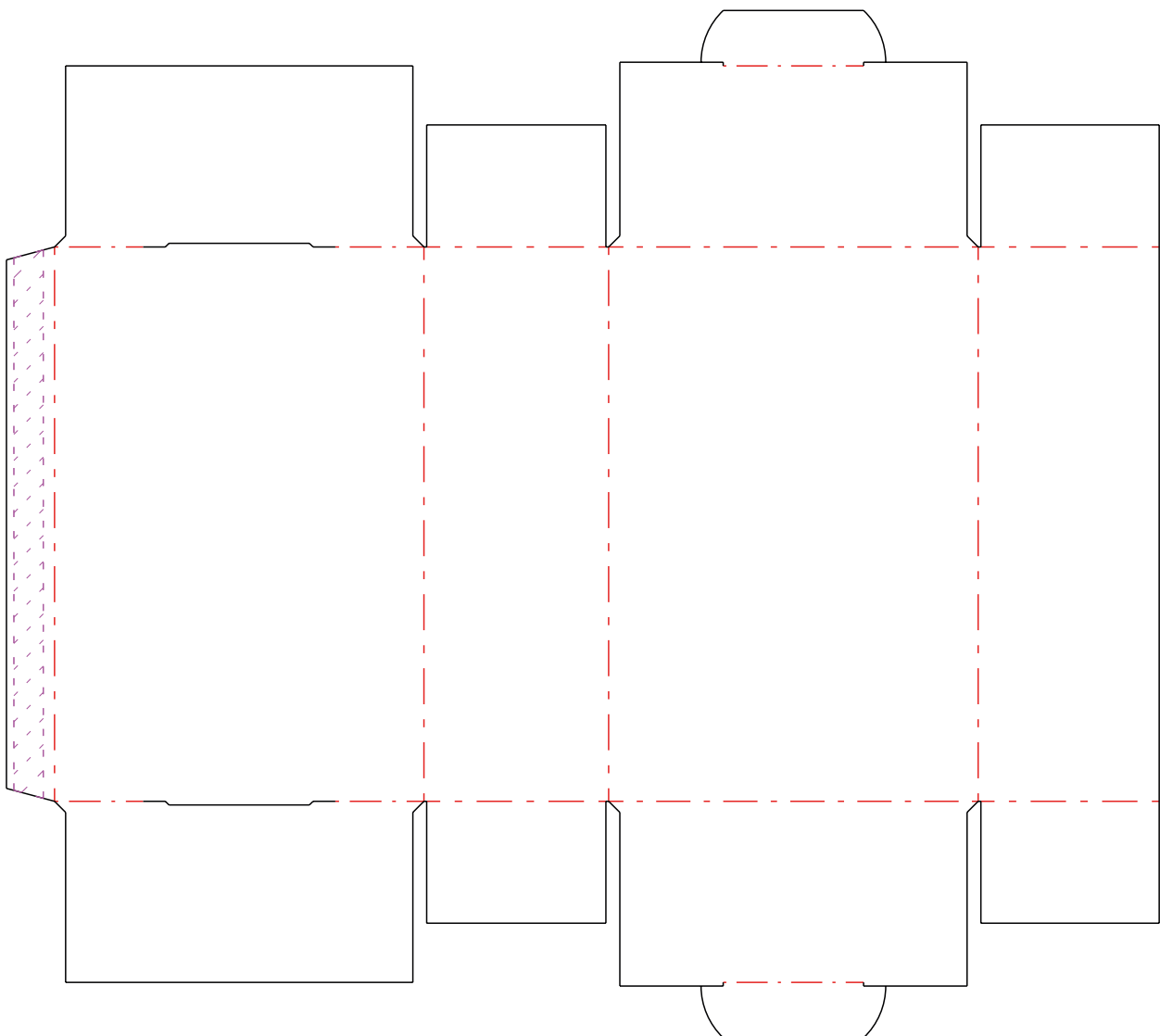
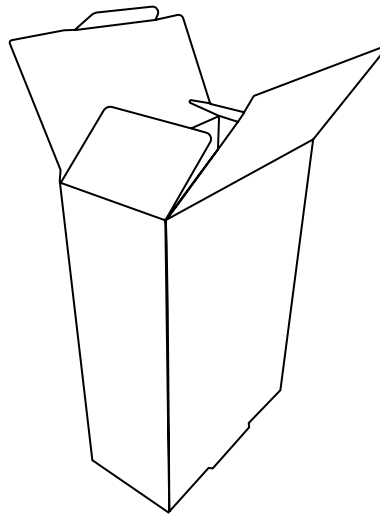
# Skillet carton

Economy Flap



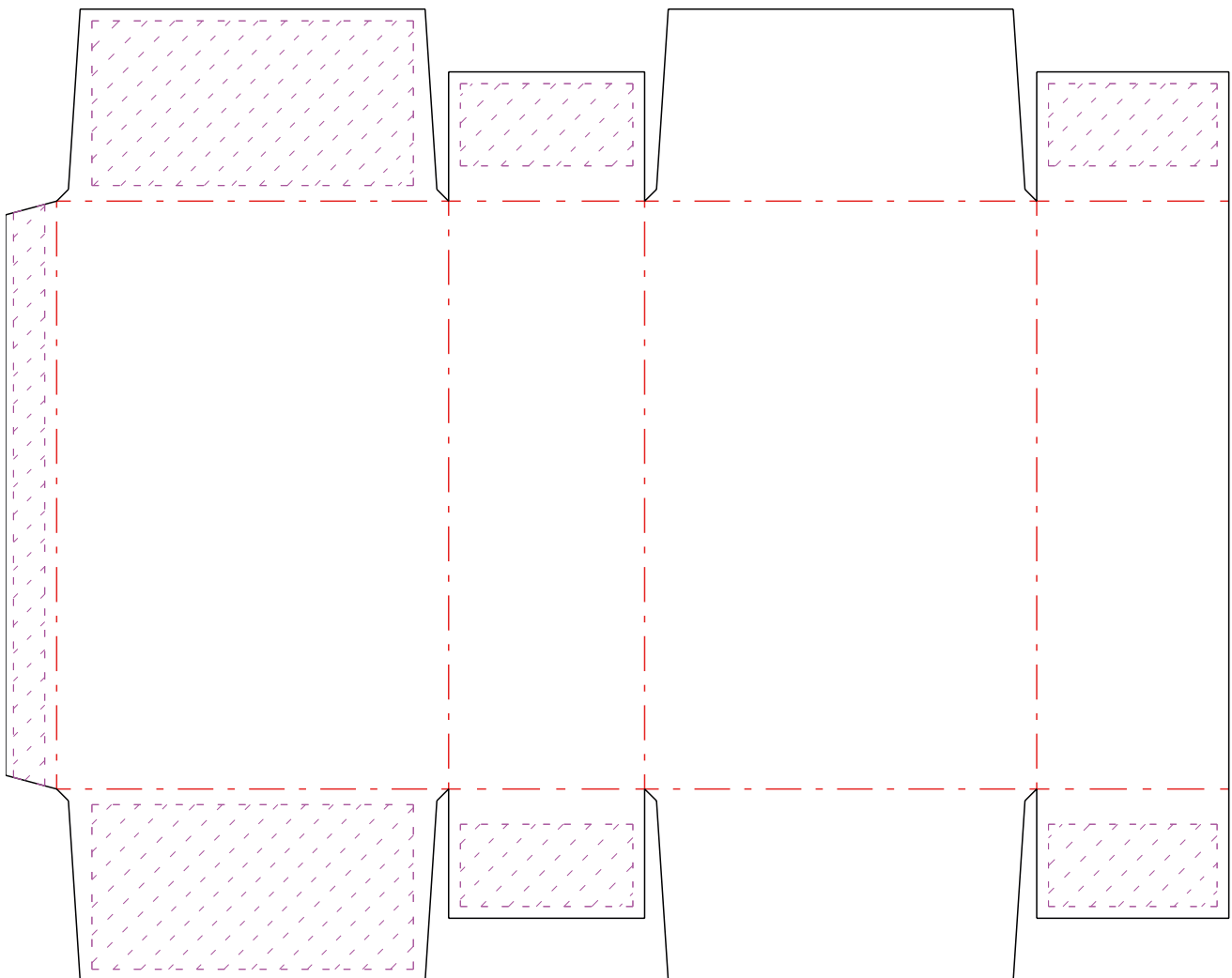
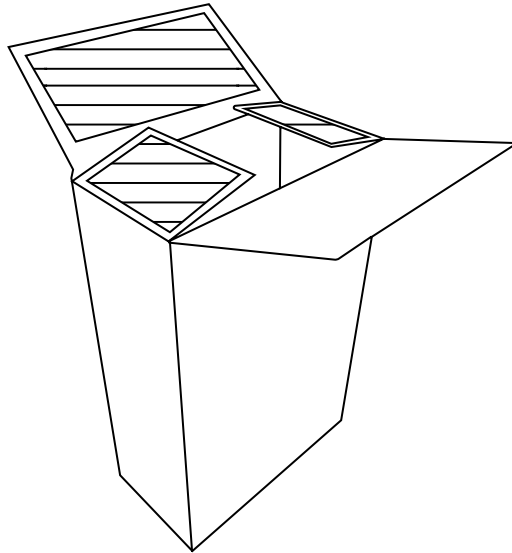
# Skillet carton

Edge lock (ECMA A5656)



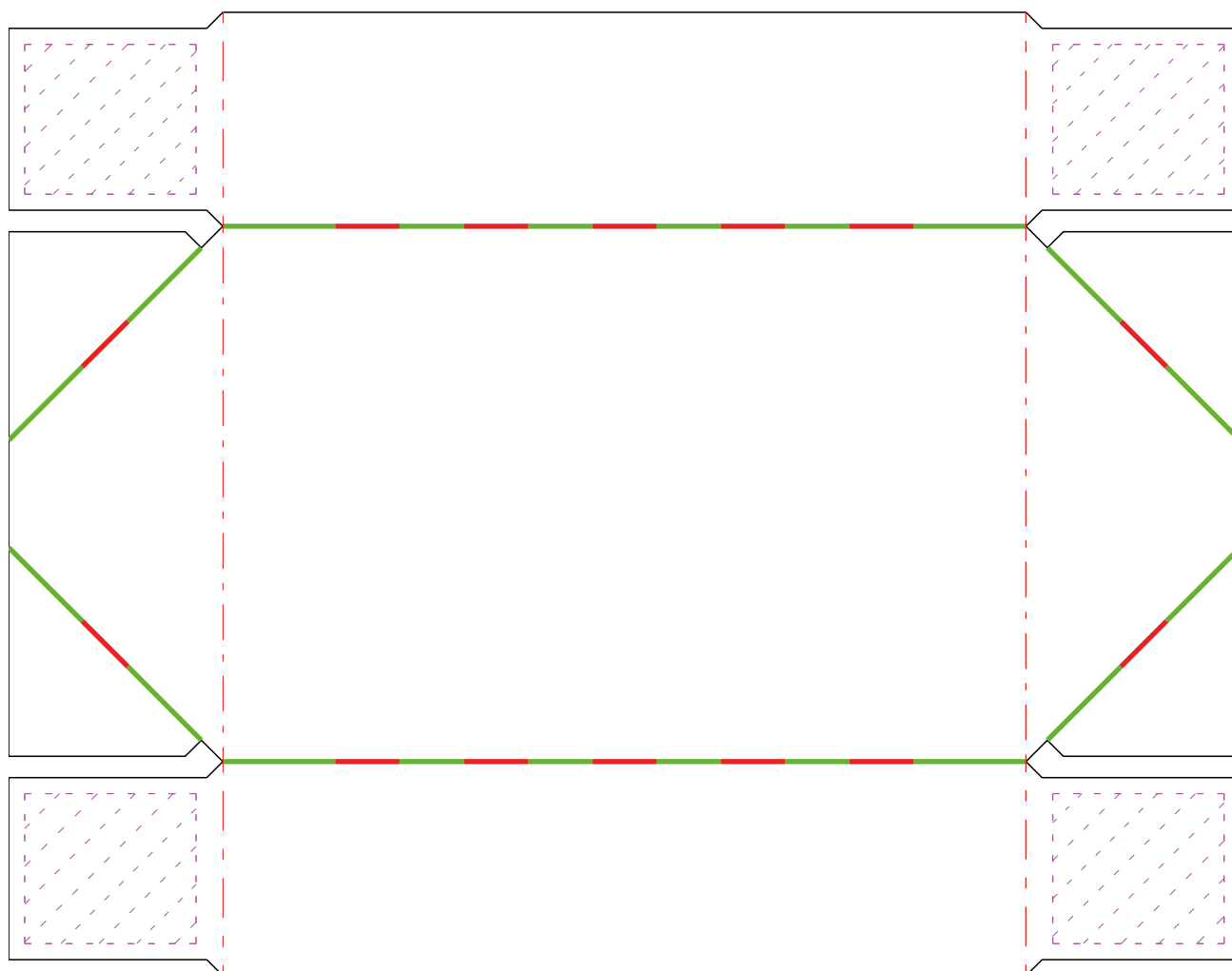
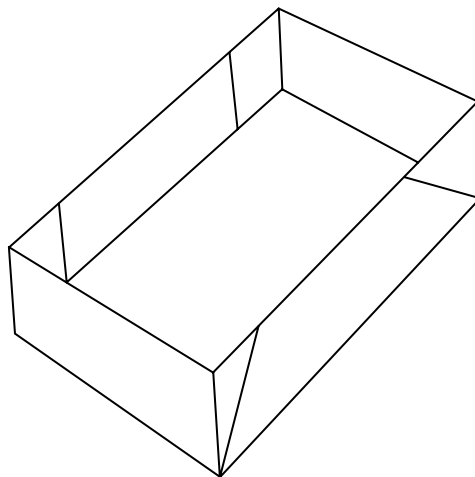
# Skillet carton

Jacob white ( ECMA A1010 )



# Tray

4 corner glued ( ECMA B4020 )



# Tray

6 corner glued ( ECMA B6020 )

